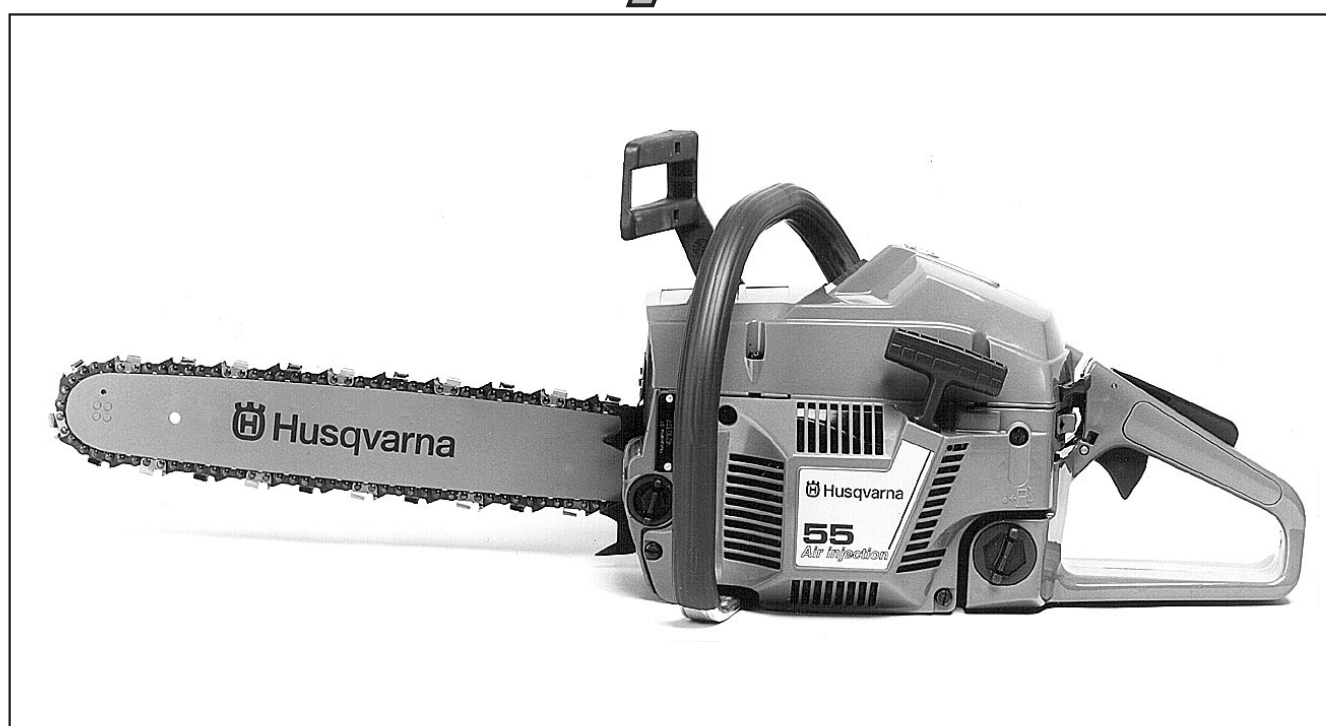


51/55

51 EPA/55 EPA



1.1998

Spare parts

Ersatzteile

Pièces détachées

Reserve onderdelen

Repuestos

Reservdelar

Replaces

Ersetzt

Remplace

Vervangt

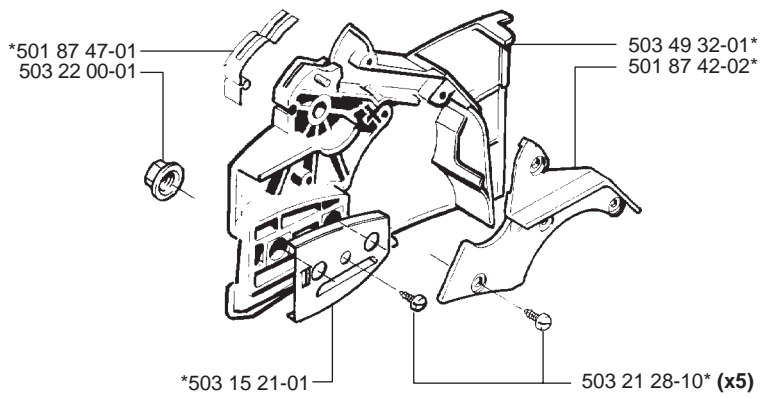
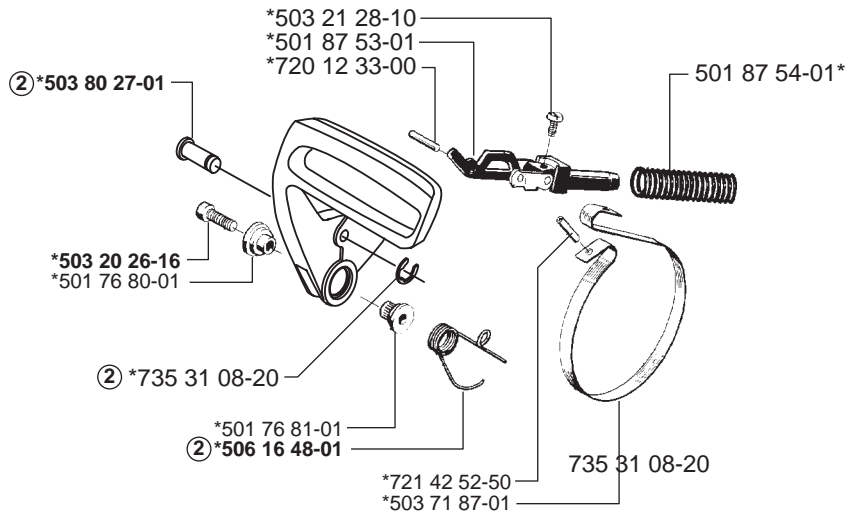
Reemplaza

Ersätter

106 22 83-63

A

*compl 503 49 81-03
② compl 503 89 27-01

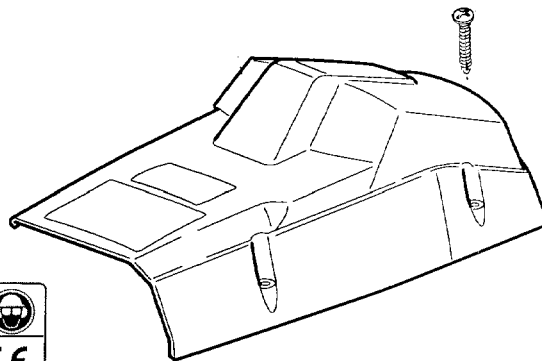
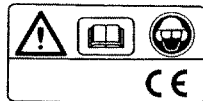


B

*compl 503 60 90-05
*compl 503 60 90-06 (USA)

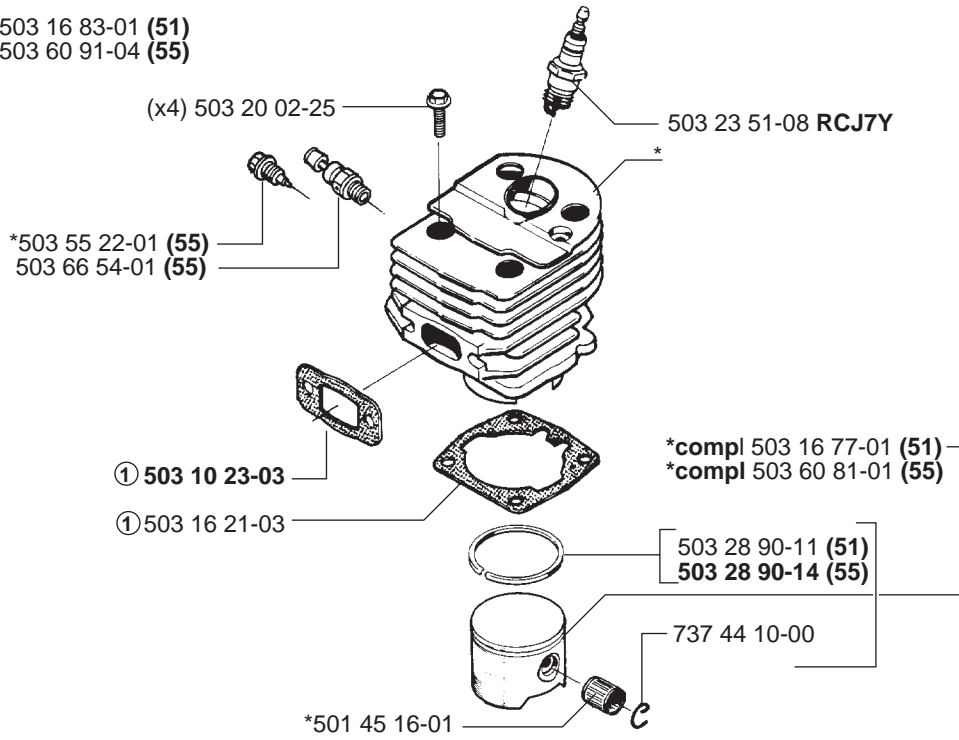
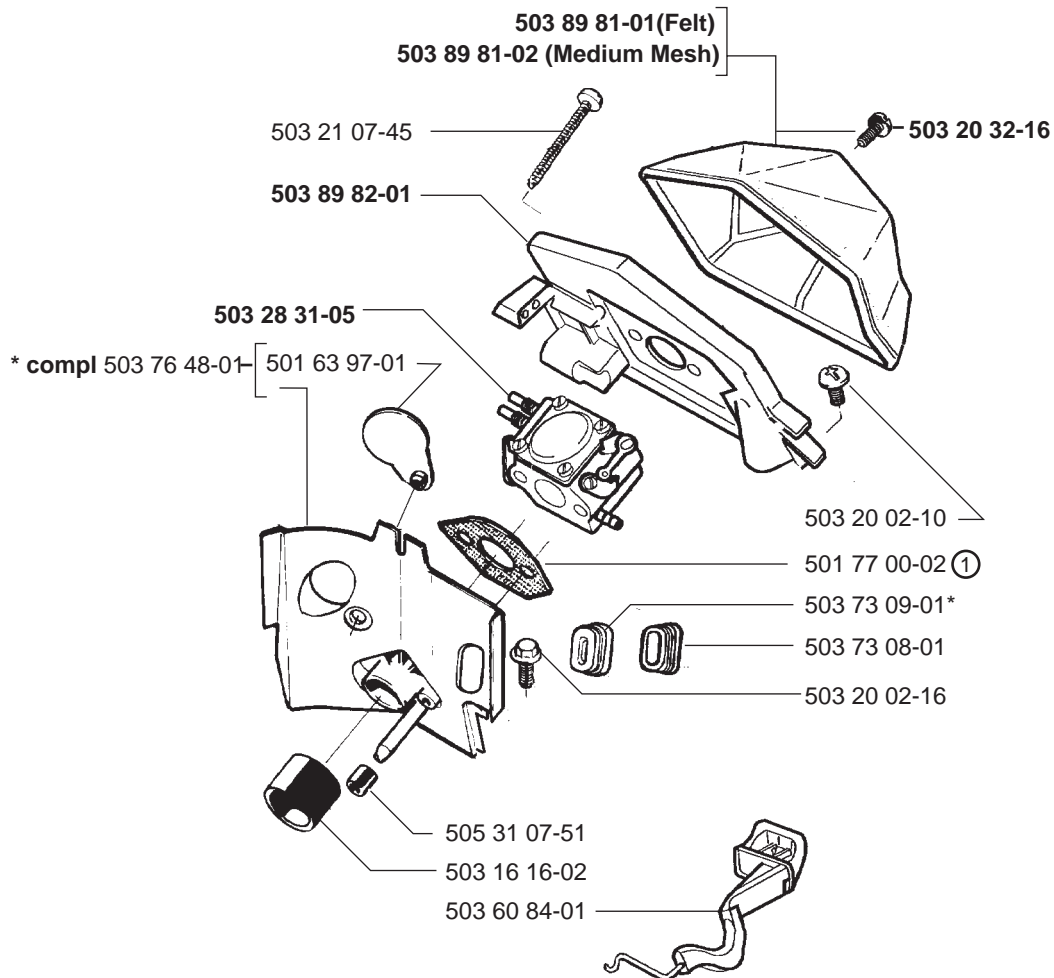
(x3) *503 21 43-38

503 78 22-04



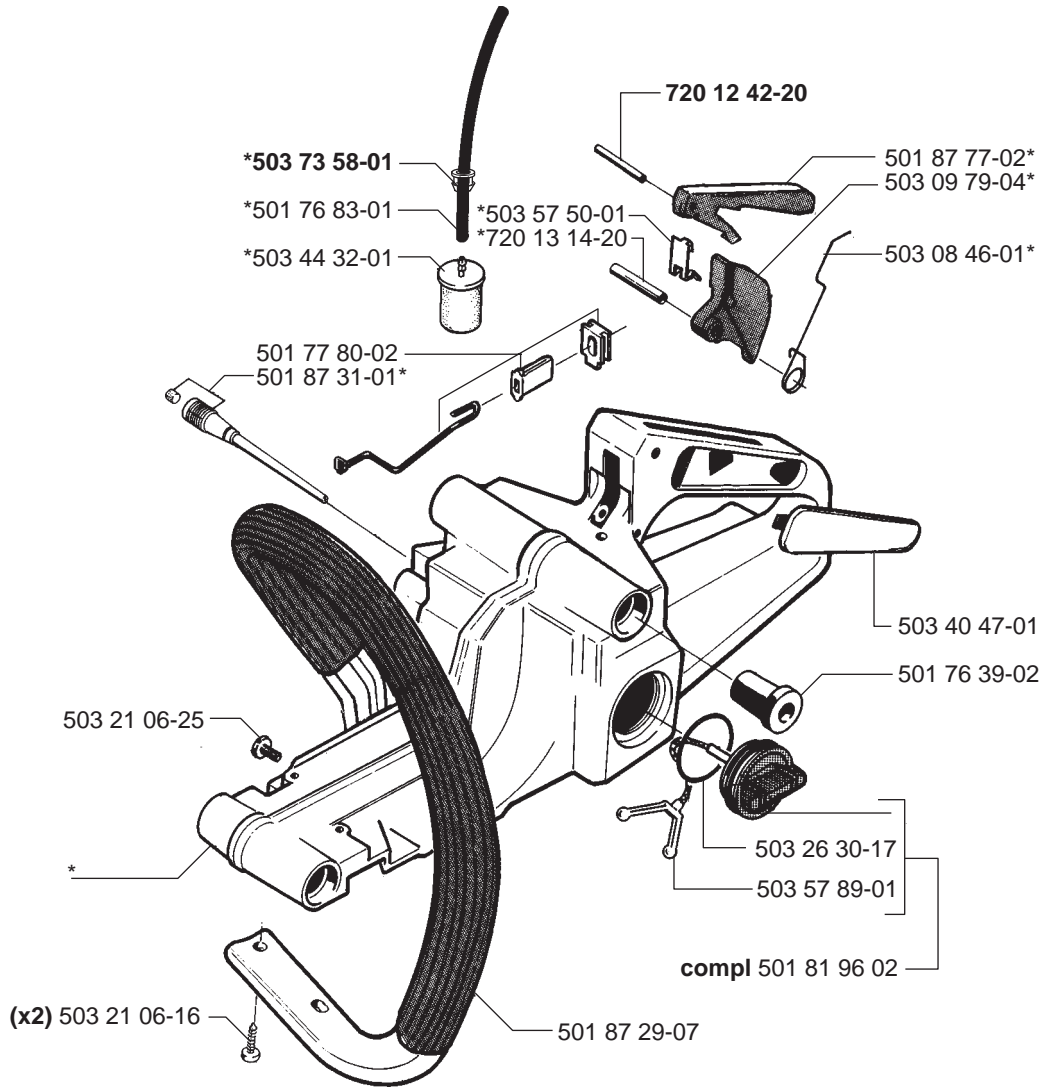
C

*compl 503 16 83-01 (51)
 *compl 503 60 91-04 (55)

**D**

E

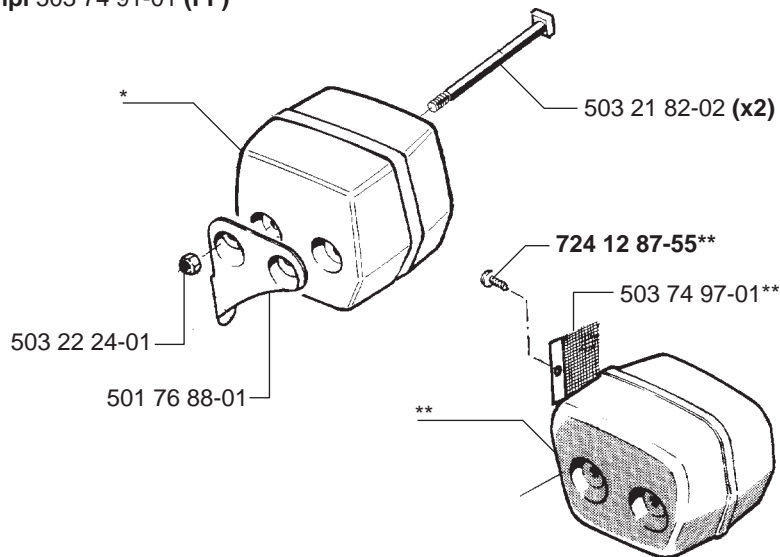
*compl 501 76 13-10



F

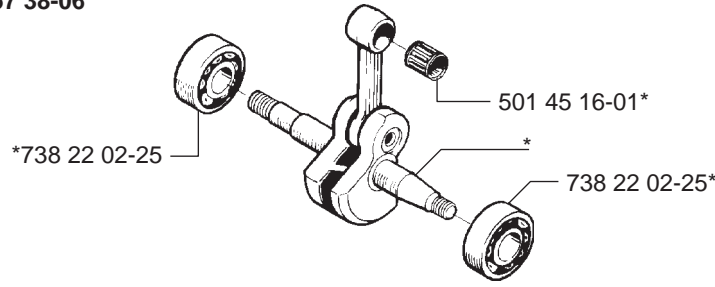
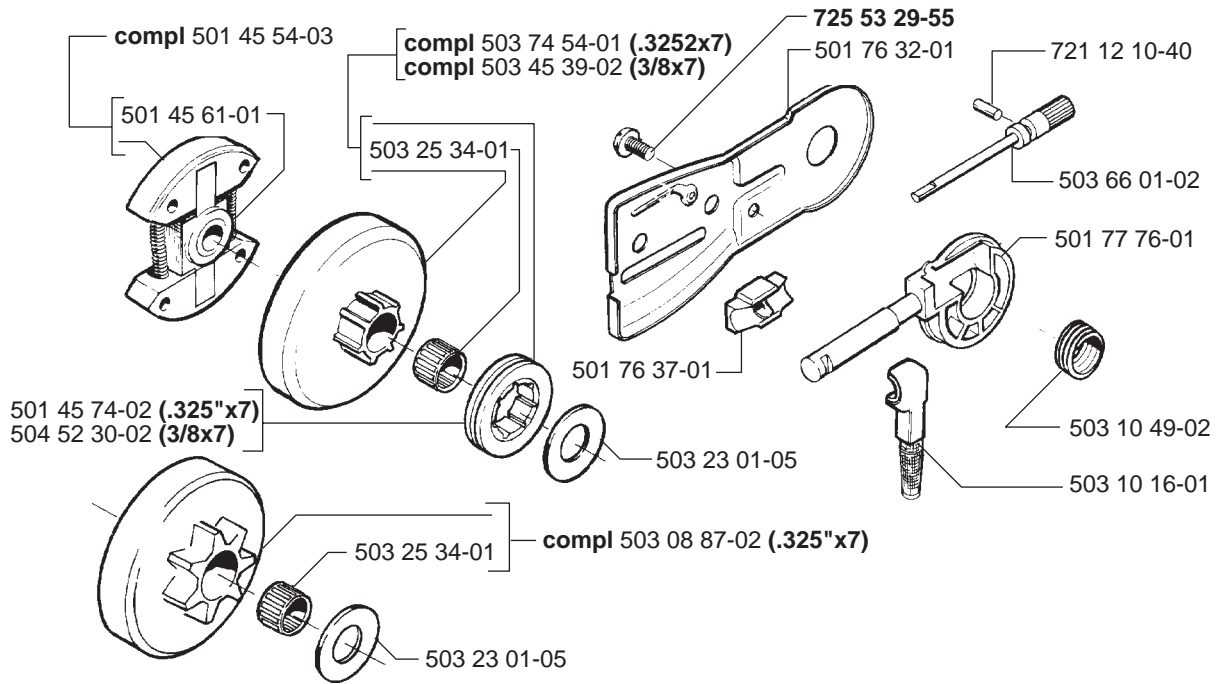
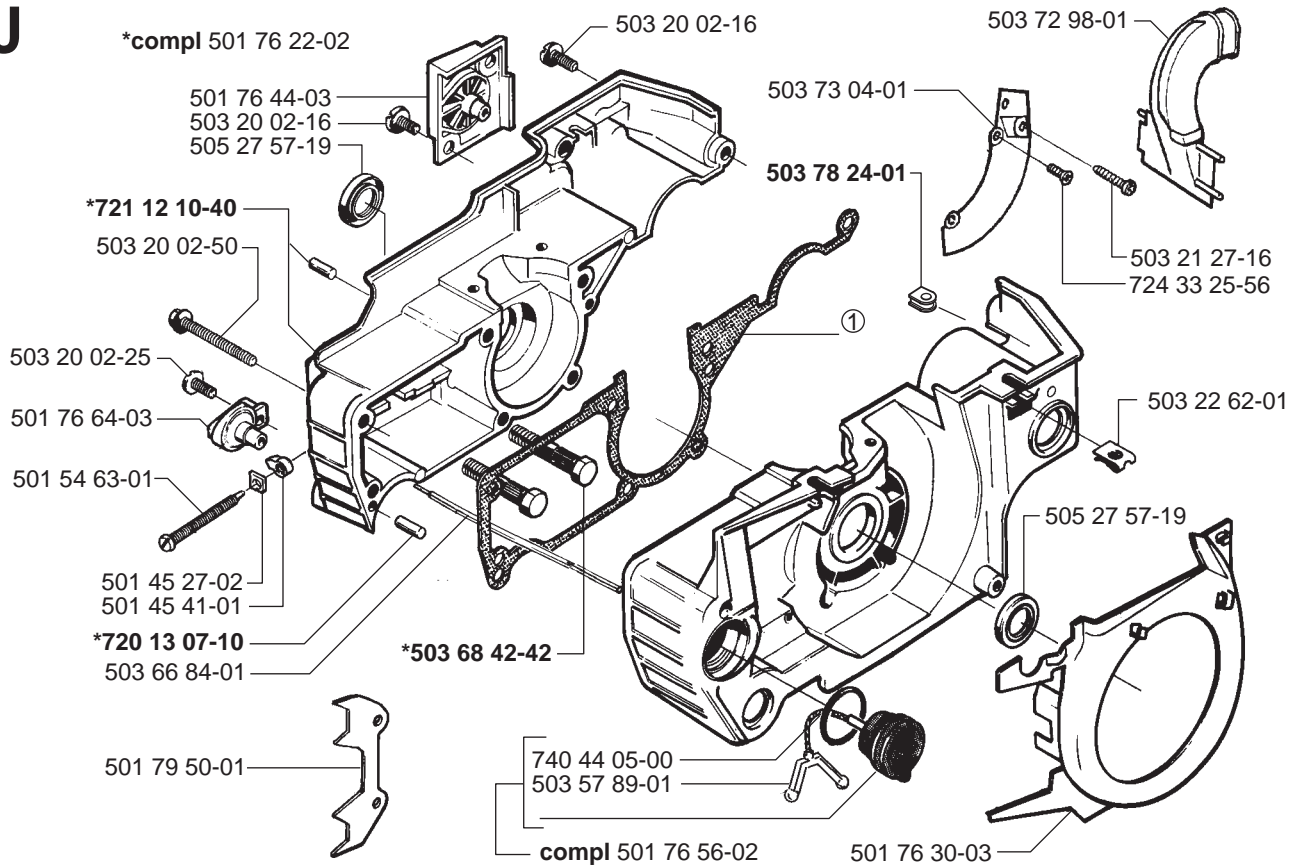
*compl 501 76 66-02 (FG)

**compl 503 74 91-01 (FF)

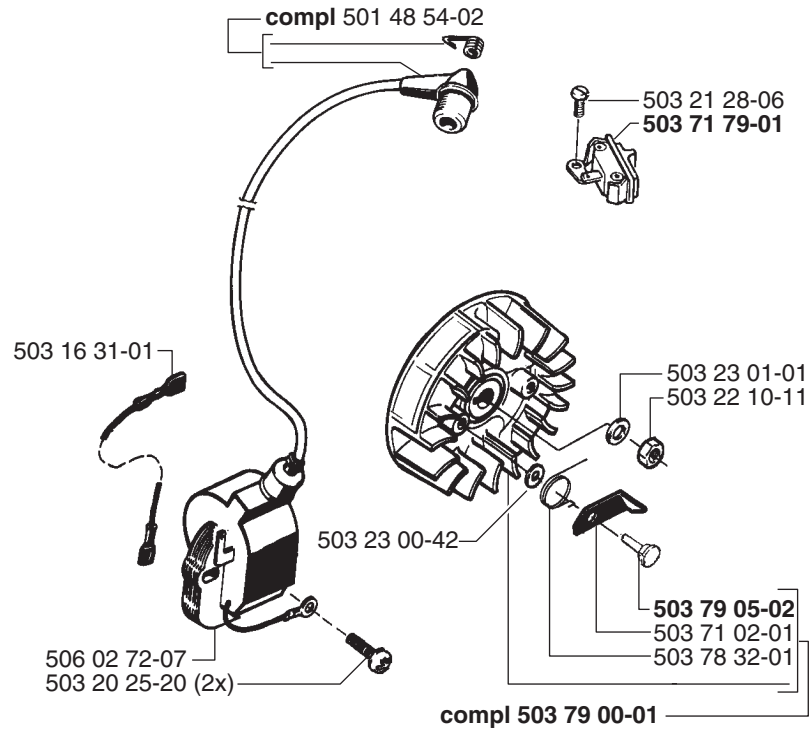


G

*compl 503 57 38-06

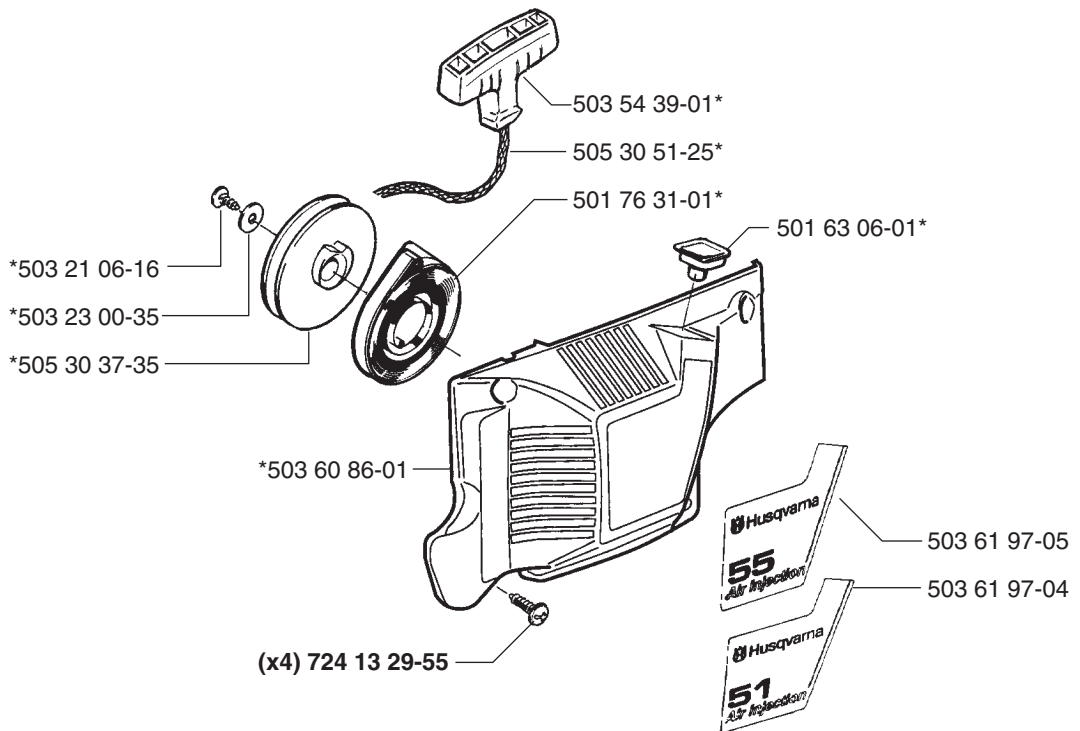
**H****J**

K



L

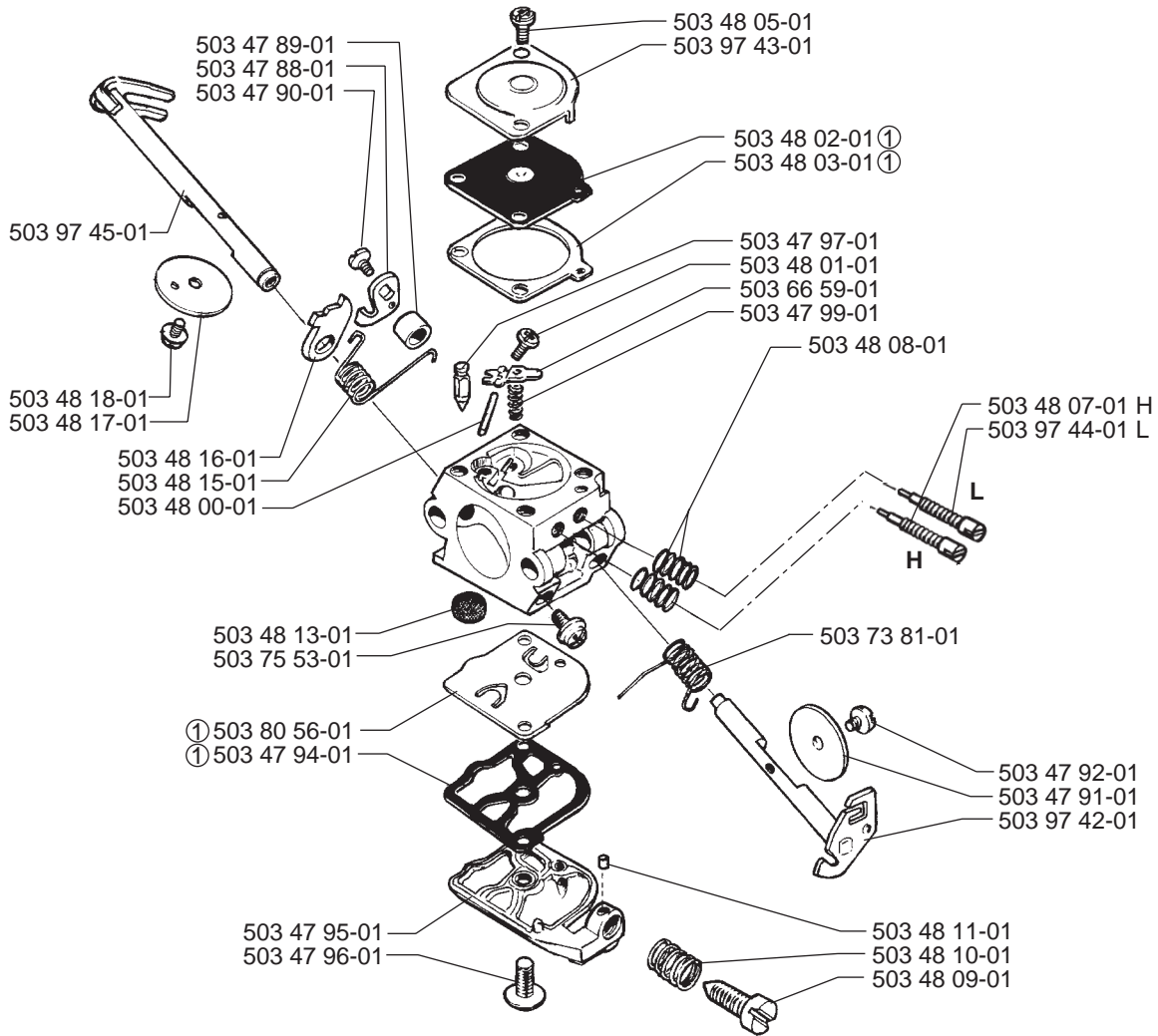
*compl 503 60 88-03



M

compl 503 28 31-05

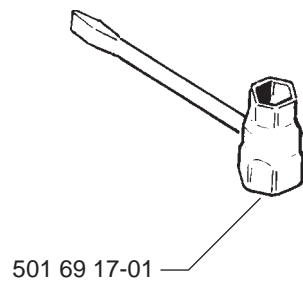
ZAMA C1Q-EL6



① 503 48 21-01
Set of gaskets
Dichtungssatz
Jeu de joints
Juego de Juntas
Packningssats

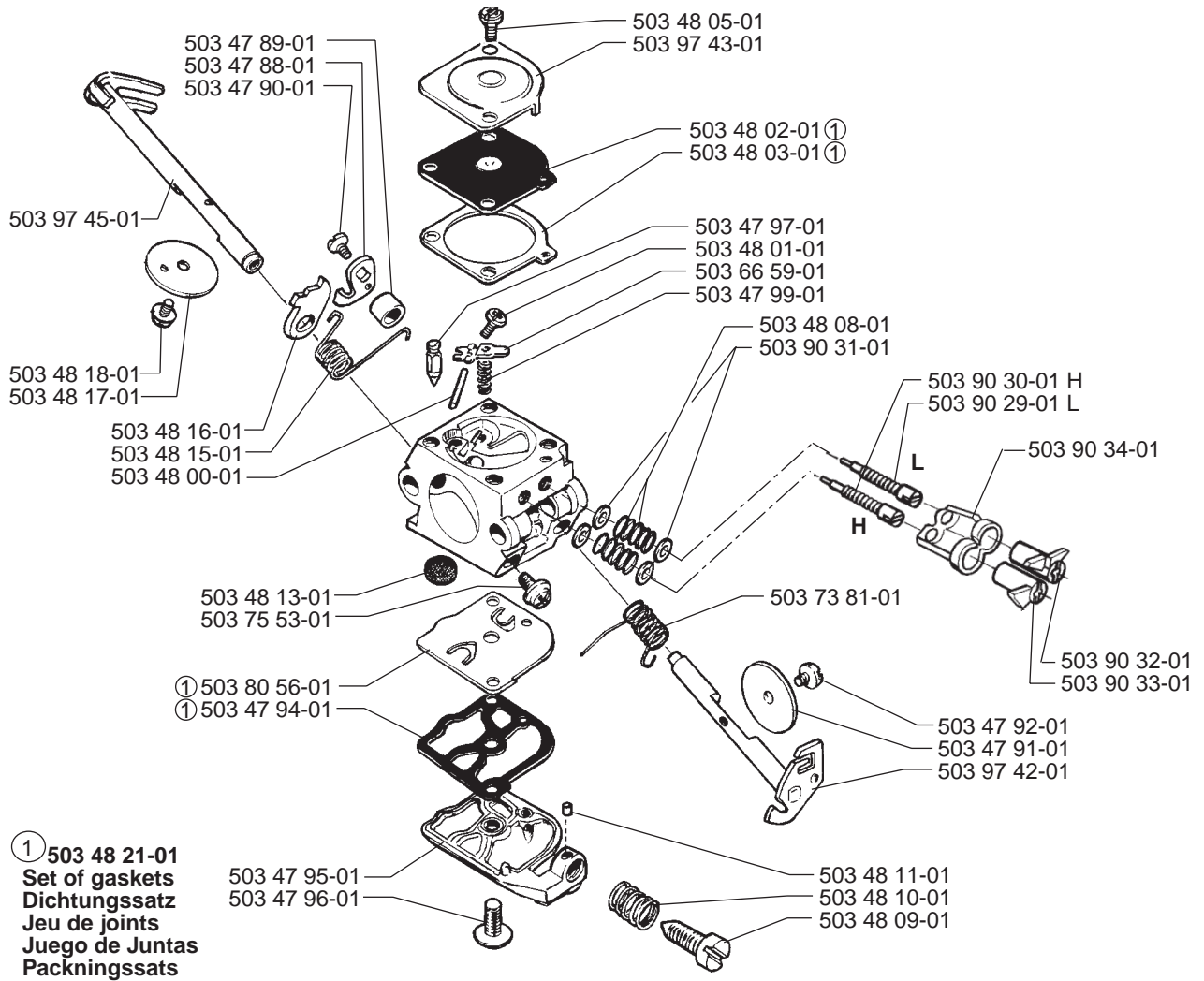
N

Tillbehör
Accessories
Zubehöre
Accessoires
Accesorios



O

compl 503 28 31-06

ZAMA C1Q-EL7 (EPA)**P***compl 503 92 41-71 (51, ø44mm)
*compl 503 97 18-71 (55, ø45mm)**EPA (for USA only)**